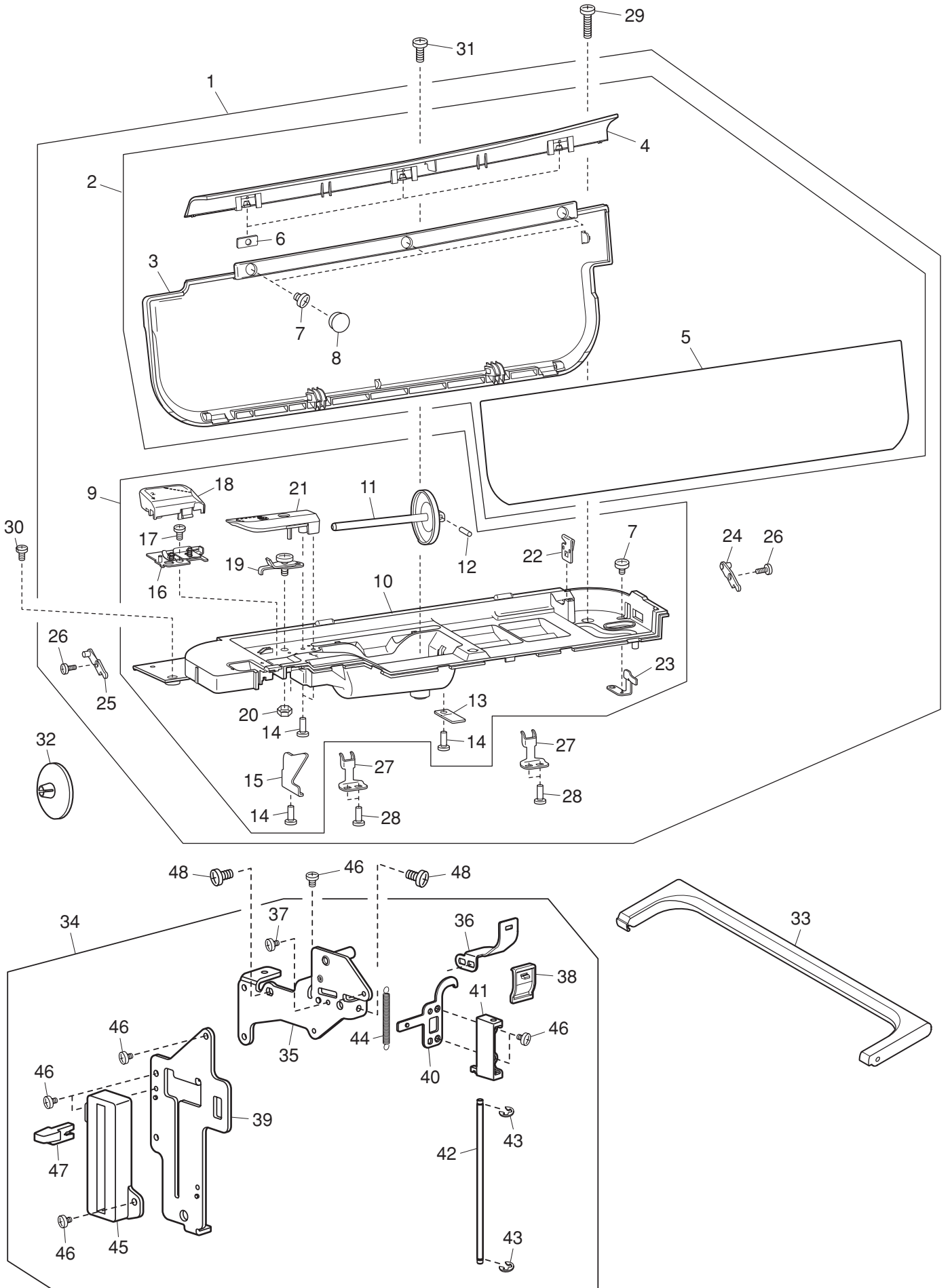


# **PARTS LIST**

**MODEL: MC9400QCP**

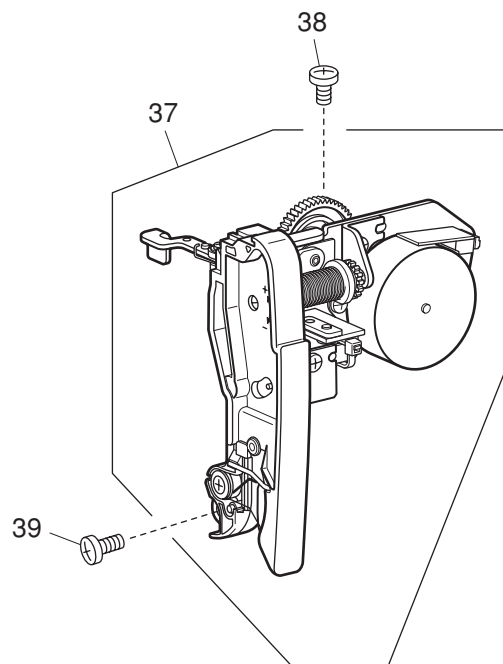
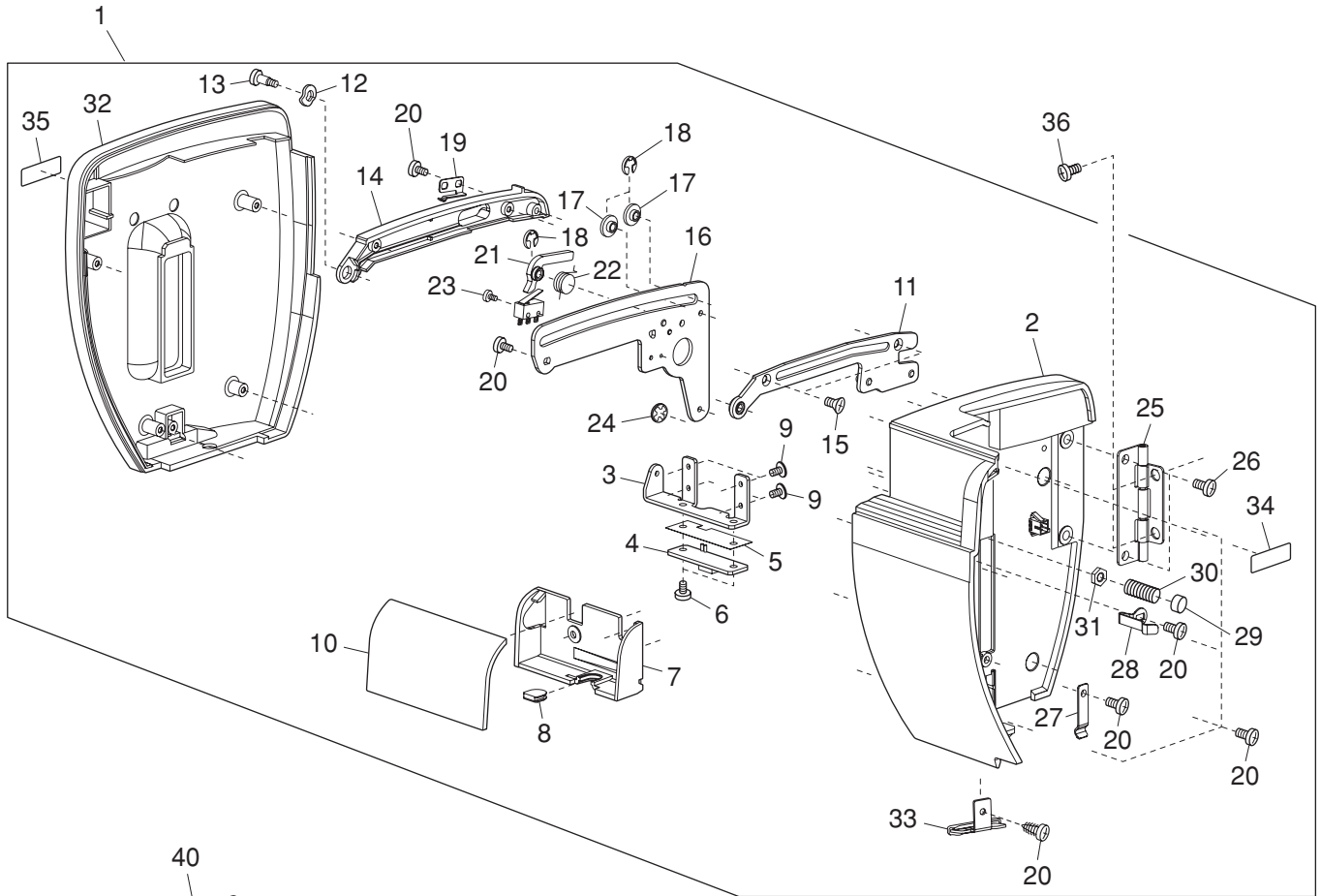
# PARTS LIST



## PARTS LIST

KEY NO.	PARTS NO.	DESCRIPTION
1	865603004	Top cover (whole unit)
2	865604005	Top cover (unit)
3	865007002	Top cover
4	865008A01	Top cover panel
5	865009A01	Reference chart
6	865010008	Washer
7	000103808	Setscrew 3x5
8	862111001	Cap
9	865605006	Top cover body (unit)
10	865011009	Top cover body
11	859052003	Spool pin
12	822017002	Spool pin shaft
13	822018003	Spool pin spring
14	000107204	Setscrew 3x12 (B)
15	862160005	Thread guide plate
16	865606007	Thread guide (unit)
17	000107307	Setscrew 3x8 (B)
18	865013001	Thread guide cover
19	862535005	Bobbin winder thread guide (unit)
20	000160102	Adjustable lock nut 4
21	862660000	Bobbin winder thread guide cover (unit)
22	830505007	Thread cutter (unit)
23	861099009	Bobbin winder stopper
24	858023002	Top cover hinge (right)
25	858023105	Top cover hinge (left)
26	000161206	Setscrew 3x10 (B)
27	859137003	Top cover hinge spring
28	000120203	Setscrew 3x8 (B)
29	000104119	Setscrew 4x20
30	000066705	Setscrew 3x8
31	000170507	Setscrew 4x12
32	822020503	Spool holder (large)
33	858024003	Carrying handle
34	865608009	Carrying handle supporter (front) (unit)
35	865022003	Carrying handle supporter (front)
36	859067001	Carrying handle spring
37	000101105	Setscrew 3x4
38	859238005	Carrying handle spring cap
39	865023004	Threader base plate
40	865024005	Threader driving plate
41	865025006	Threader bushing
42	865026007	Threader lever shaft
43	000002301	Snap ring E-2
44	865027008	Needle threader return spring
45	865028009	Threader ornamental panel
46	000078319	Setscrew 3x6
47	865029000	Threader lever
48	000081005	Setscrew 4x8

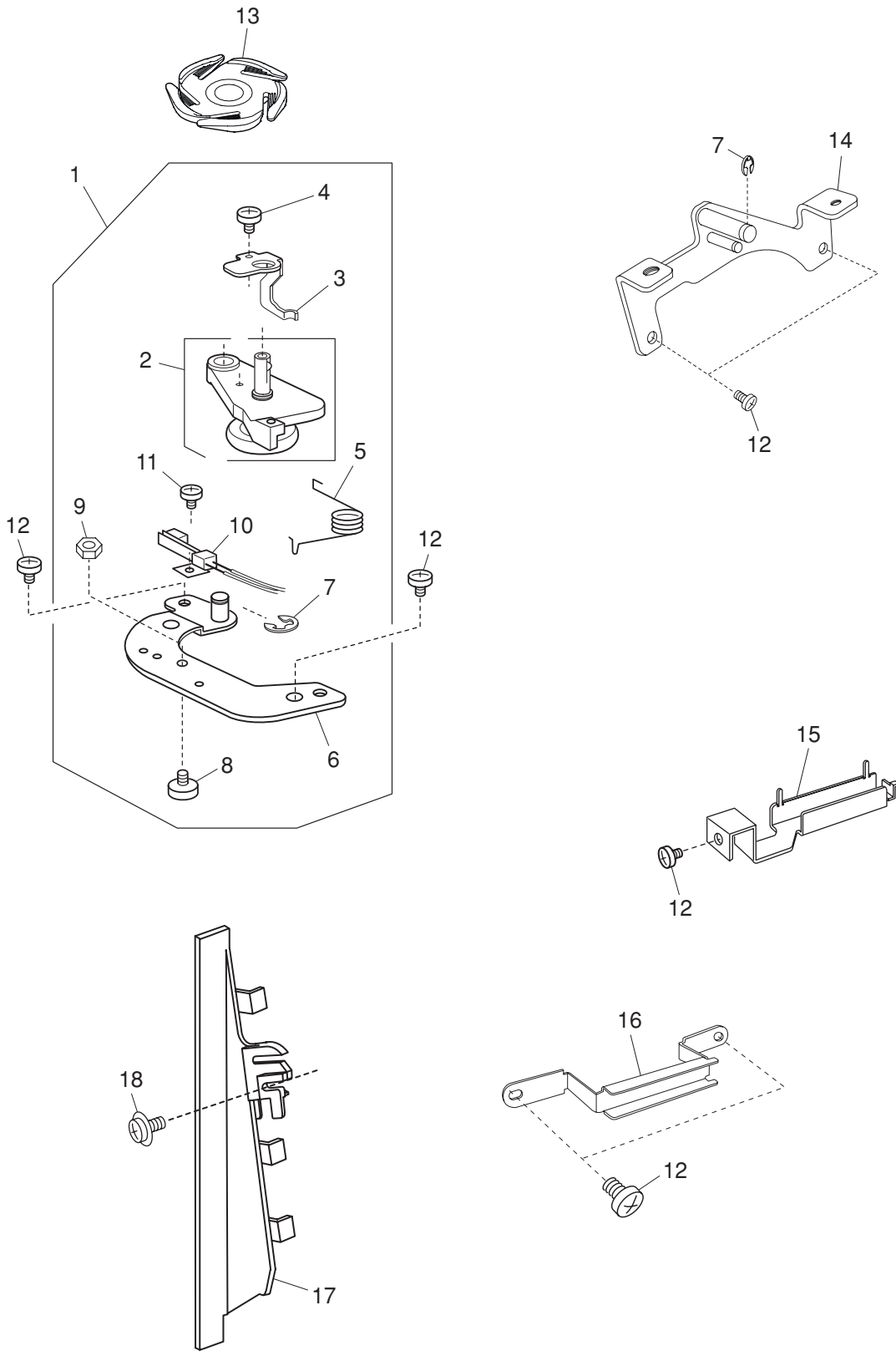
# PARTS LIST



# PARTS LIST

KEY NO.	PARTS NO.	DESCRIPTION
1	865607008	Face plate (unit) (U.S.A.)
	865607101	Face plate (unit) (Canada)
	865607204	Face plate (unit) (Australia) (UK) (Continental Europe)
2	865014A01	Face plate
3	865015003	Board L3 set plate
4	859505006	Printed circuit board L3 (unit)
5	862142001	Insulation sheet
6	000101105	Setscrew 3x4
7	865016004	Face cover lamp cover
8	859060004	Face cover support lamp cover
9	000102508	Setscrew 3x6
10	865020A01	Face cover lamp ornamental plate
11	865017005	Lamp arm
12	000116103	Washer 4
13	859062006	Setscrew
14	865018006	Lamp arm cover
15	000151708	Setscrew 2.6x6 (B)
16	865019007	Face cover lamp guide plate
17	303071000	Ring
18	000001207	Snap ring E-2.5
19	859224008	Index spring
20	000120203	Setscrew 3x8 (B)
21	859225009	Switch lever
22	859226000	Switch lever spring
23	000102900	Setscrew 2x8
24	000014007	Snap ring CS-4
25	851503103	Face plate hinge (unit)
26	000081500	Setscrew 3x12
27	859233000	Spring
28	850013005	Face plate spring
29	865044001	Face plate supporter stopper
30	000082800	Setscrew 4x20
31	000160102	Adjustable lock nut 4
32	865021002	Face plate cover
33	832508006	Thread cutter (unit)
34	830312016	Caution sticker (U.S.A.)
	100045000	Caution sticker (Canada)
35	100517008	Caution sticker (Canada)
36	000081119	Setscrew 4x6
37	865609000	Thread tension (unit)
38	000081005	Setscrew 4x8
39	000103509	Setscrew 4x10
40	000053008	Code binder

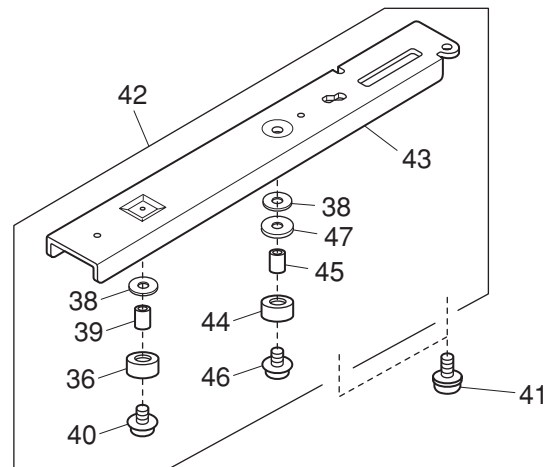
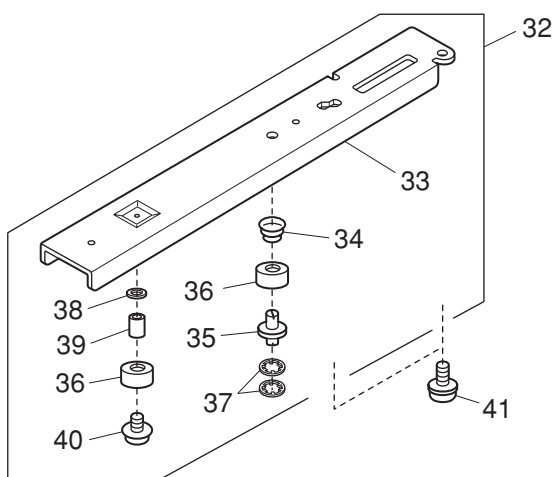
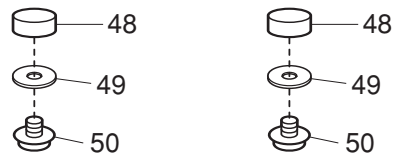
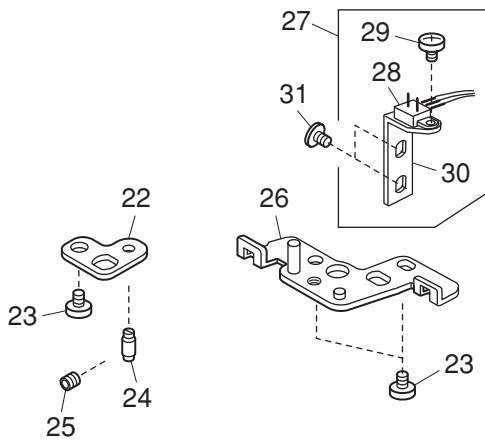
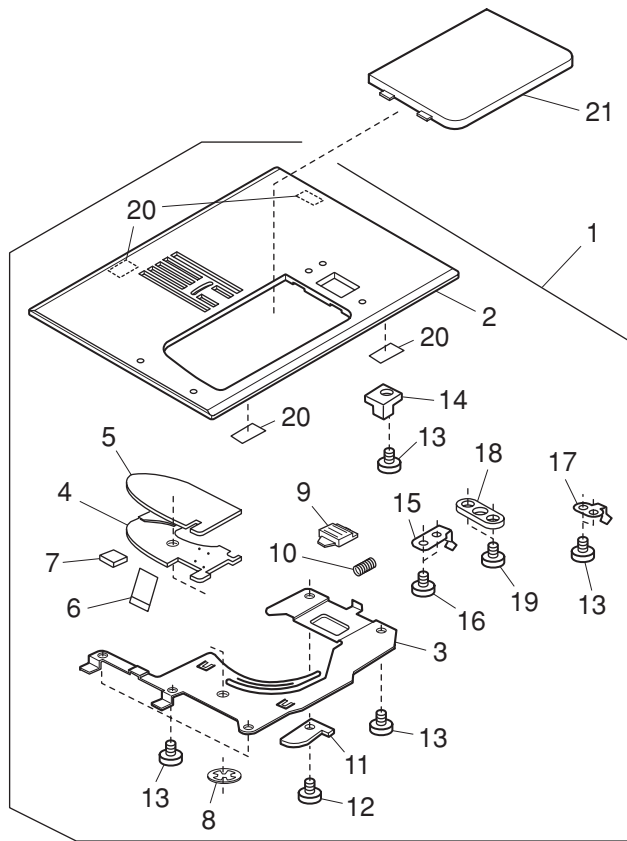
# PARTS LIST



## PARTS LIST

KEY NO.	PARTS NO.	DESCRIPTION
1	861636004	Bobbin winder (unit)
2	861503001	Bobbin winder (unit)
3	861096006	Clutch lever
4	000120203	Setscrew 3x8 (B)
5	861091001	Bobbin winder arm spring
6	861092002	Bobbin winder set plate
7	000001609	Snap ring E-5
8	861153002	Bobbin winder stopper screw
9	000063104	Nut 3-2-5.5
10	856512100	Leaf switch (unit)
11	000081706	Setscrew 2.5x5
12	000081005	Setscrew 4x8
13	862647001	Thread cutter holder (unit)
14	859134000	Carrying handle supporter (rear)
15	859248008	Upper cord guide
16	858113000	Cord guide
17	858145012	Cord guide plate
18	000115607	Setscrew TP 4x8

# PARTS LIST

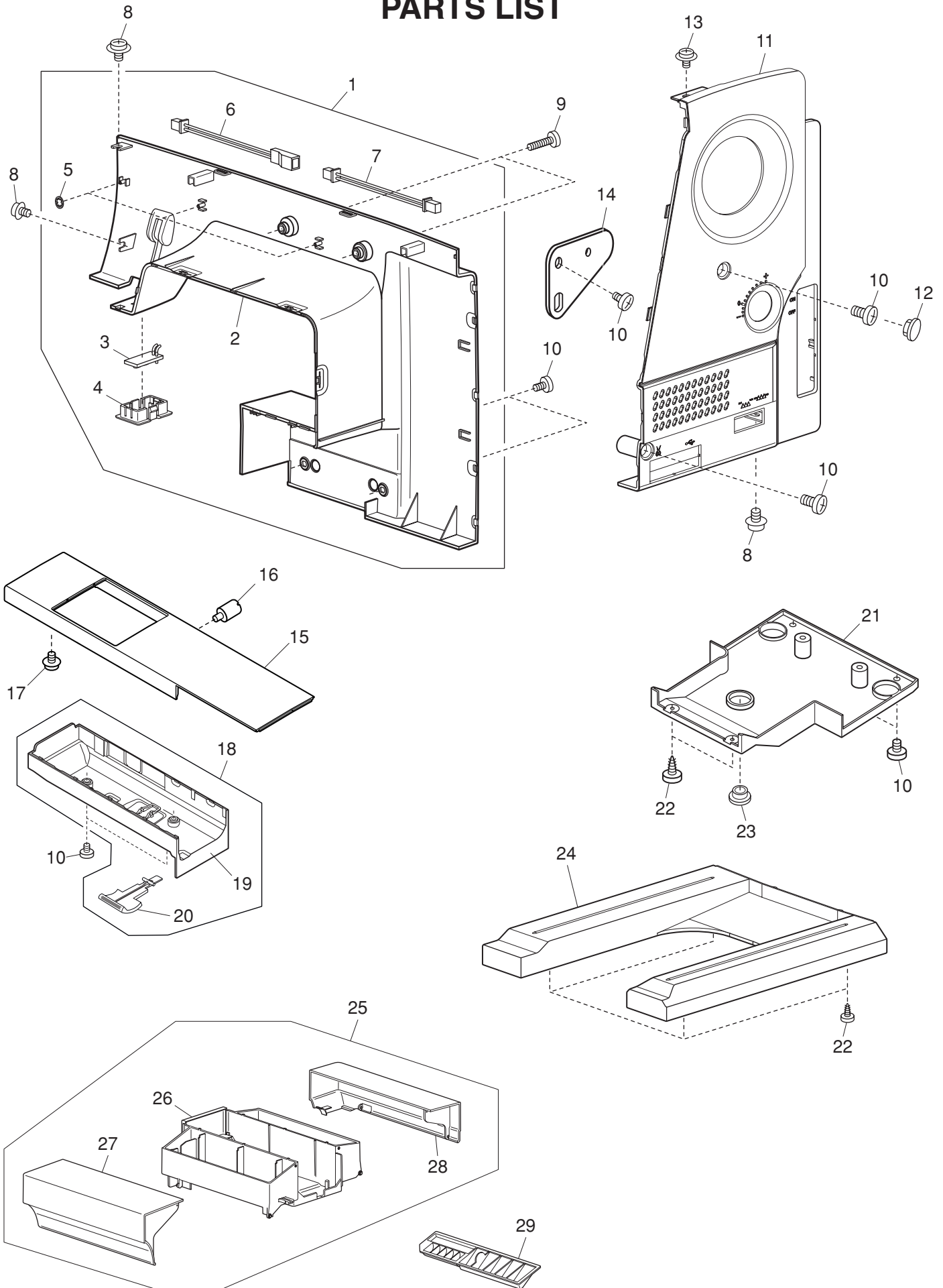




# PARTS LIST

KEY NO.	PARTS NO.	DESCRIPTION
1	861606005	Needle plate (unit)
2	861013010	Needle plate
3	861014000	Hook cover plate supporter
4	809134005	Hook cover plate supporter base
5	809135006	Guide holder
6	809137008	Cutter
7	861152001	Felt
8	000014306	Snap ring CS-3
9	825016000	Hook cover plate release button
10	825017001	Spring
11	809044203	Rotation stopper
12	000097613	Setscrew 2x4
13	820374004	Setscrew 2x2.3
14	859046004	Needle plate sensor block
15	859047016	Needle plate spring
16	000169709	Setscrew 2x2.3
17	859245005	Needle plate spring 2
18	859271000	Needle plate supporter
19	000102807	Setscrew 2x4
20	859272104	Rubber sticker
21	809136100	Hook cover plate
22	860003025	Needle plate nut set plate
23	810220106	Setscrew
24	859270009	Needle plate positioning pin
25	000111201	Hexagonal socket screw 4x4
26	859247018	Needle plate adjusting plate
27	859671107	Needle plate sensor (unit)
28	859524104	Micro switch (unit)
29	755096004	Setscrew
30	859246006	Switch set plate
31	000193001	Setscrew TP 4x6
32	858601011	Arm sole (front cover side) (unit)
33	858002005	Arm sole
34	858162004	Spring
35	820350004	Adjusting screw
36	605074008	Rubber foot
37	000014409	Snap ring CS-8
38	000133106	Washer 6
39	000141107	Bushing 6x3
40	000119106	Setscrew TP 4x10
41	000148403	Setscrew 6x12 (S)
42	858601206	Arm sole (rear cover side) (unit)
43	858002201	Arm sole
44	797363016	Rubber foot
45	000206709	Bushing 4x7
46	000115700	Setscrew TP 4x10
47	858149005	Spacer
48	797363016	Rubber foot
49	000070300	Washer 5
50	784169009	Rubber foot setscrew

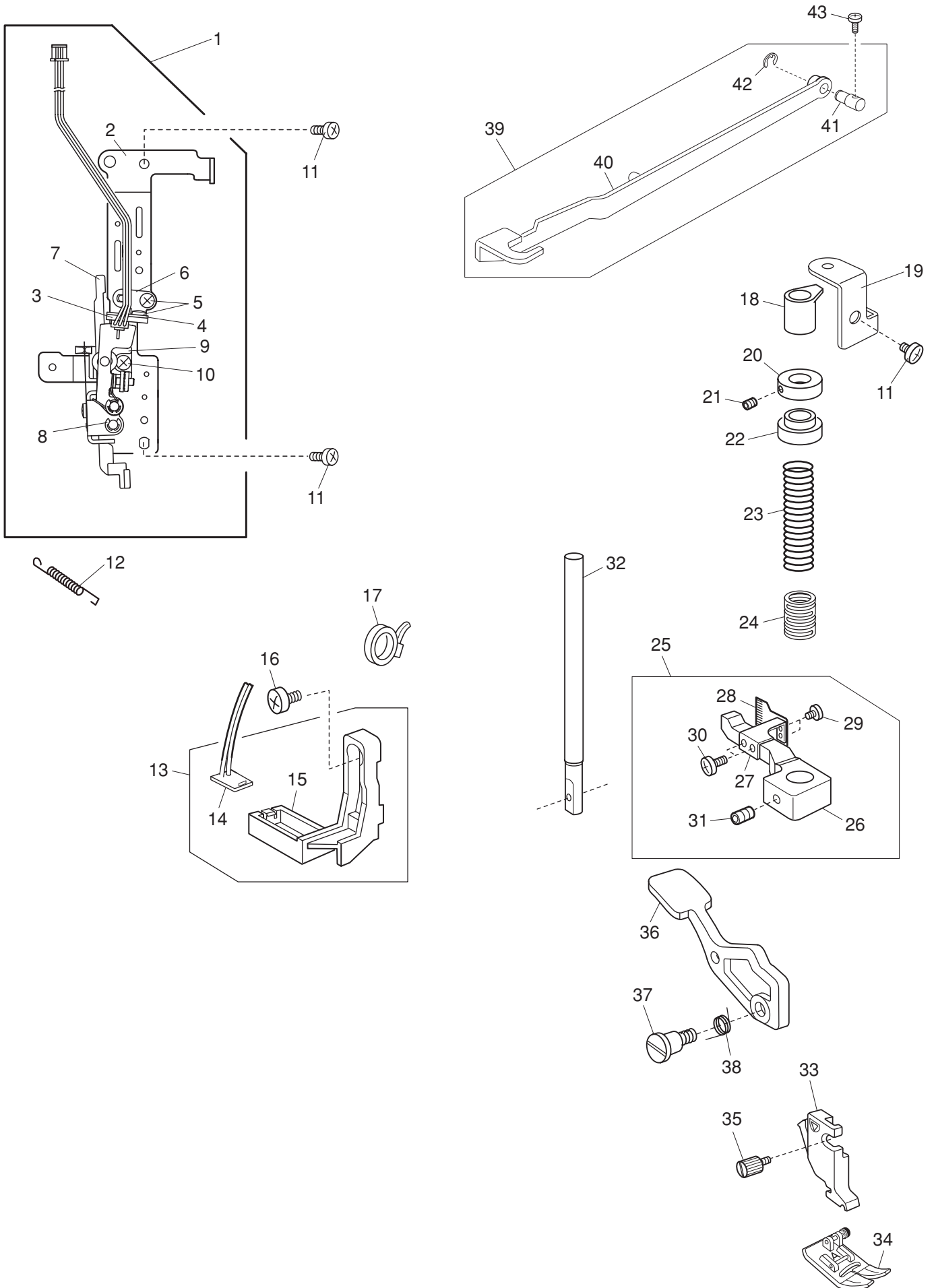
# PARTS LIST



## PARTS LIST

KEY NO.	PARTS NO.	DESCRIPTION
1	865601002	Rear cover (unit)
2	865003A01	Rear cover
3	859525068	Printed circuit board L2 (unit)
4	860167006	Lamp cover 2
5	000014306	Snap ring CS-3
6	735516209	Cable
7	865505005	Face plate cable (unit)
8	000115205	Setscrew TP 4x6
9	000104108	Setscrew 4x20
10	000081005	Setscrew 4x8
11	865042009	Belt cover
12	745033002	Cap
13	000114709	Setscrew TP 3x6
14	858114001	Belt cover retaining plate
15	862150002	Free arm cover
16	858165007	Pin
17	000114710	Setscrew TP 3x6
18	859614009	Bed cover (unit)
19	859039004	Bed cover
20	859040008	Needle plate release lever
21	858137000	Base plate
22	000161206	Setscrew 3x10 (B)
23	626045407	Cap
24	865002007	Base cover
25	865602A01	Extension table (unit)
26	865004009	Extension table
27	865005000	Extension table lid (front)
28	865006001	Extension table lid (rear)
29	858278015	Foot tray

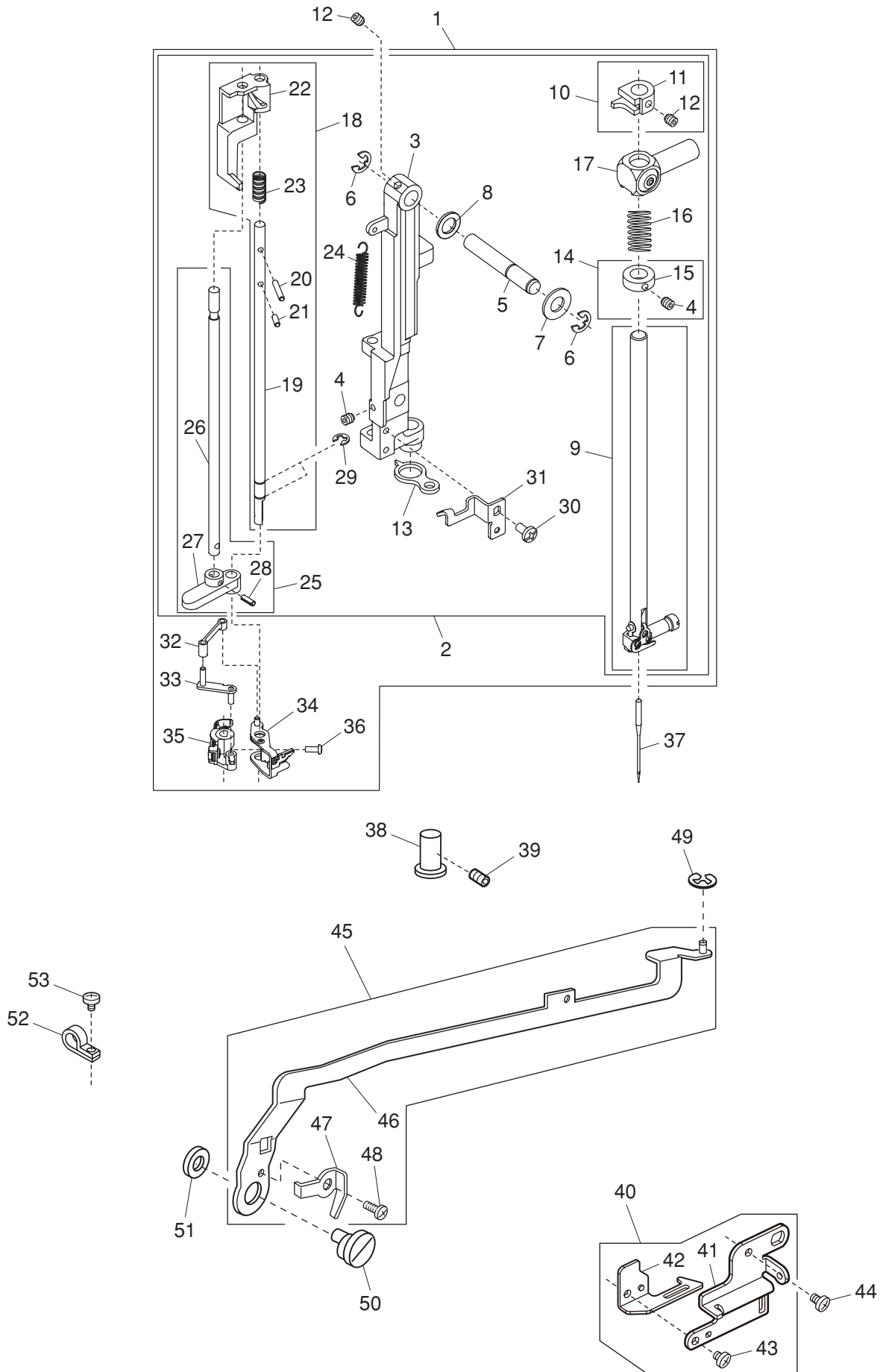
# PARTS LIST



## PARTS LIST

KEY NO.	PARTS NO.	DESCRIPTION
1	862621102	Front bracket (unit)
2	862045003	Front bracket
3	852502921	Printed circuit board G1 (unit)
4	853028002	Insulation sheet
5	000101105	Setscrew 3x4
6	846044002	Sensor base plate
7	843625406	Buttonhole lever (unit)
8	000002105	Snap ring E-3
9	830057021	Buttonhole lever guide
10	000103808	Setscrew 3x5
11	000081005	Setscrew 4x8
12	844038018	Needle bar supporter spring
13	861665703	LED cover (unit)
14	859525057	Printed circuit board L2 (unit)
15	859232021	LED cover
16	000078319	Setscrew 3x6
17	000053008	Cord binder
18	652104004	Presser bar bushing
19	859075002	Presser bar bushing plate
20	859076003	Presser foot lifter stopper
21	000216805	Hexagonal socket screw 3x3
22	859077004	Spring supporter
23	859078005	Presser bar spring
24	859210001	Spring supporter
25	859624002	Presser bar supporter (unit)
26	859079017	Presser bar supporter
27	859240000	Shielding plate set plate
28	859081001	Shielding plate
29	000098108	Setscrew 2x3
30	000128603	Setscrew 3x5
31	000111201	Hexagonal socket screw 4x4
32	859082002	Presser bar
33	859801005	Presser foot holder (unit)
34	859802006	Zigzag foot (unit)
35	858274000	Thumbscrew
36	859027009	Presser foot lifter lever
37	859028000	Setscrew
38	859029001	Spring
39	863639003	Automatic presser foot lifter lever (unit)
40	859069003	Automatic presser foot lifter lever
41	859070007	Presser foot lifter lever shaft
42	000002507	Snap ring E-4
43	000101703	Setscrew 4x12

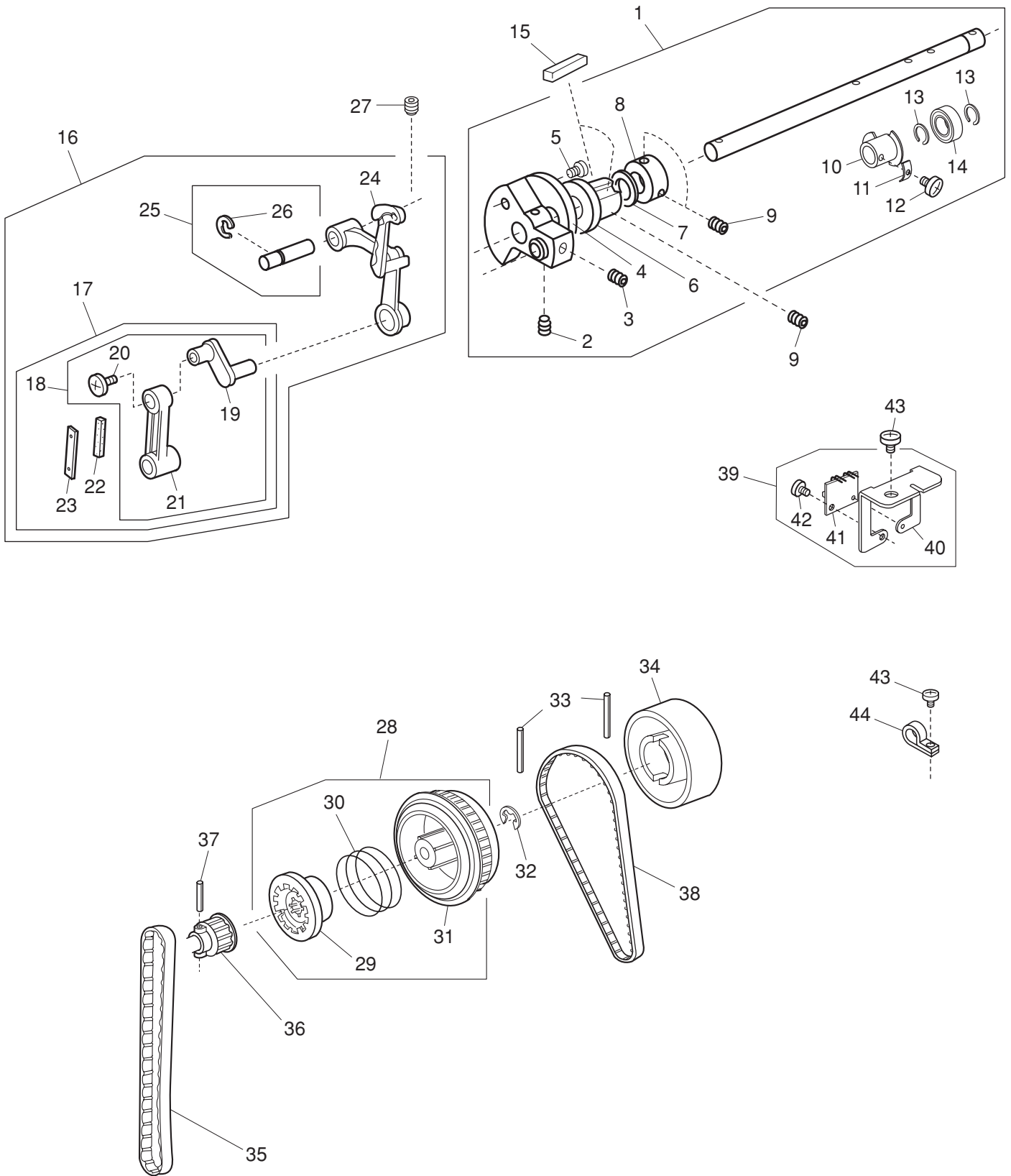
# PARTS LIST



# PARTS LIST

KEY NO.	PARTS NO.	DESCRIPTION
1	862623104	Needle bar supporter (whole unit)
2	862655105	Needle bar supporter (unit)
3	858250000	Needle bar supporter
4	000111902	Hexagonal socket screw 3x4
5	735144006	Needle bar supporter pin
6	000002507	Snap ring E-4
7	000070609	Washer 6
8	673022002	Washer
9	858538005	Needle bar (unit)
10	858540000	Rotation pin stopper (unit)
11	858254004	Rotation pin stopper
12	000111201	Hexagonal socket screw 4x4
13	829027006	Supporter guide plate
14	858541001	Threader guide ring (unit)
15	858276002	Threader guide ring
16	858172007	Needle bar supporter spring
17	846515009	Needle bar supporter (unit)
18	862624105	Threader shaft (unit)
19	858255016	Threader shaft
20	000265500	Spring pin 2x12-CH
21	000265603	Spring pin 2x6-CH
22	862055006	Threader arm
23	863128004	Needle threader spring
24	858258008	Needle threader return spring
25	862625003	Threader supporter shaft (unit)
26	858259009	Threader supporter shaft
27	858260003	Threader guide
28	000022204	Spring pin 2x6 (K)
29	000001207	Snap ring E-2.5
30	000078320	Setscrew 3x6
31	862064008	Spring supporter
32	858265008	Link plate 1
33	858266009	Link plate 2
34	862626015	Threader guard plate (unit)
35	862627005	Hook holder (unit)
36	000230403	Setscrew 2x5
37	647814031	Needle
38	827083004	Supporter guide pin
39	000216805	Hexagonal socket screw 3x3
40	862651008	Arm thread guide (unit)
41	862081001	Arm thread guide
42	862133009	Thread guide plate
43	000101105	Setscrew 3x4
44	000078319	Setscrew 3x6
45	859610005	Zigzag width rod (unit)
46	859031017	Zigzag width rod
47	827088009	Zigzag width rod spring
48	820373003	Setscrew 2x3
49	000002105	Snap ring E-3
50	678084100	Eccentric pin
51	000072014	Washer 5
52	000188405	Nylon clip
53	000081005	Setscrew 4x8

# PARTS LIST

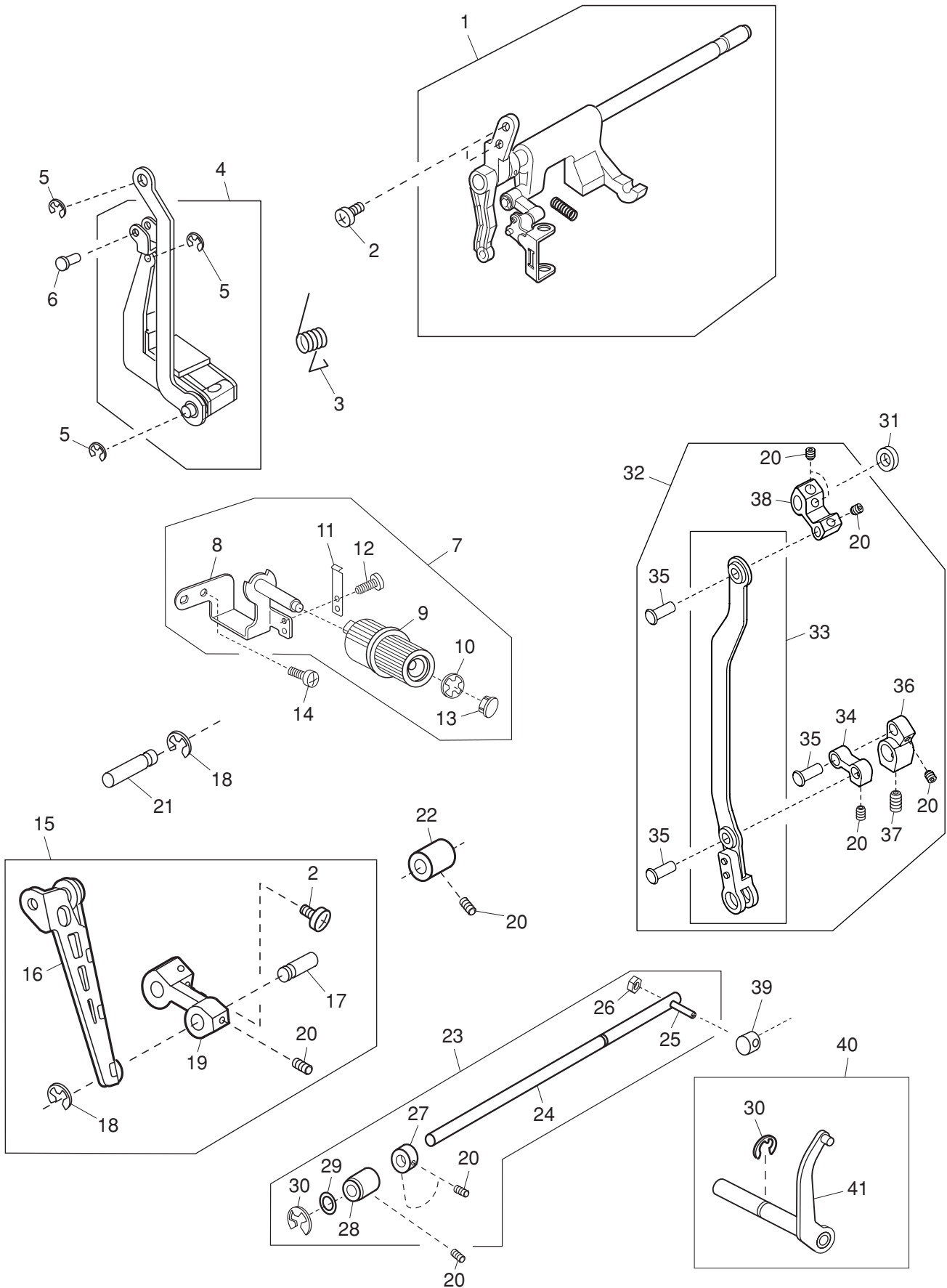




# PARTS LIST

KEY NO.	PARTS NO.	DESCRIPTION
1	859650100	Upper shaft (unit)
2	000111706	Hexagonal socket screw 5x8
3	000110901	Hexagonal socket screw 5x4
4	859214005	Upper feed lifting cam
5	000078319	Setscrew 3x6
6	670079201	Upper shaft front bushing
7	000040105	Washer $\phi$ 12x0.5
8	767077006	Ring
9	000111304	Hexagonal socket screw 5x5
10	862002008	Upper shaft shield plate
11	859033008	Washer
12	000080406	Setscrew 3x10
13	000032702	Snap ring crescent
14	767178008	Ball bearing
15	731312005	Felt
16	865618002	Thread take-up lever (whole unit)
17	846615103	Needle bar crank (unit)
18	843543007	Needle bar crank pin (unit)
19	652143005	Needle bar crank pin
20	647139002	Needle bar crank pin knob
21	650039001	Needle bar crank rod
22	650040005	Felt
23	650041006	Spring
24	820511108	Thread take-up lever (unit)
25	650626001	Thread take-up lever pin (unit)
26	000002806	Snap ring E-6
27	000111201	Hexagonal socket screw 4x4
28	858647008	Belt wheel (unit)
29	858053001	Clutch ring
30	502065004	Clutch spring
31	858054002	Belt wheel
32	000030009	Snap ring E-10
33	000024206	Spring pin 3x30
34	858055003	Handwheel
35	846098001	Timing belt 178
36	858052000	Upper shaft gear
37	000004303	Spring pin 3x20
38	858118005	Timing belt 168
39	859646000	Upper shaft sensor (unit)
40	859056007	Sensor set plate
41	843505100	Printed circuit board P (unit)
42	000101105	Setscrew 3x4
43	000081005	Setscrew 4x8
44	000188405	Nylon clip

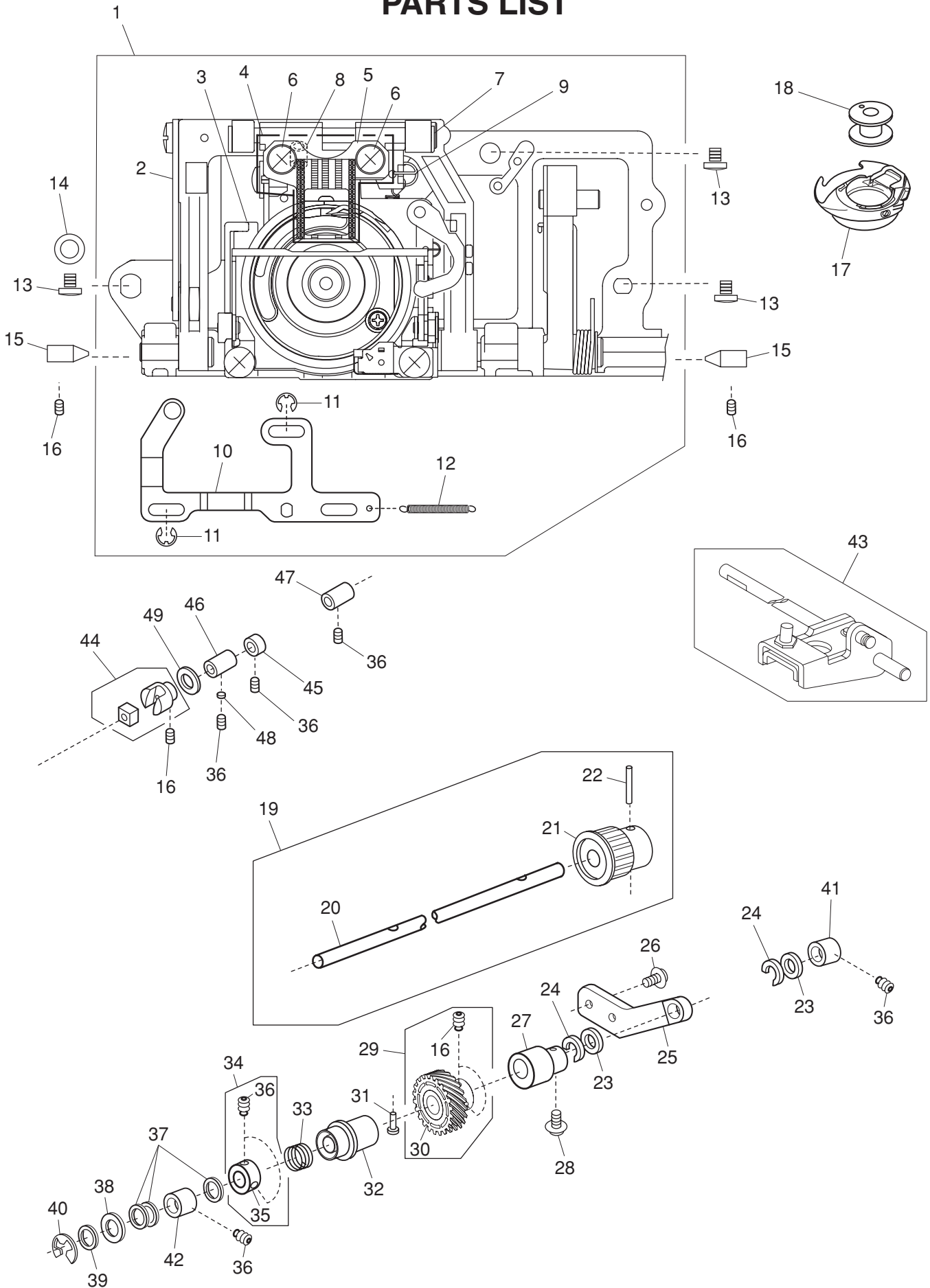
# PARTS LIST



## PARTS LIST

KEY NO.	PARTS NO.	DESCRIPTION
1	859640004	Upper feed upper shaft (unit)
2	000103509	Setscrew 4x10
3	858156005	Upper feed upper shaft spring
4	859627016	Upper feed foot (unit)
5	000002105	Snap ring E-3
6	846327002	Pin (1)
7	858625000	Upper feed adjusting base plate (unit)
8	858072006	Upper feed adjusting base plate
9	846351005	Upper feed adjusting dial
10	000014007	Snap ring CS-4
11	846353007	Dial leaf
12	000101105	Setscrew 3x4
13	653006101	Cap
14	000081005	Setscrew 4x8
15	858623008	Feed connecting link (unit)
16	858068009	Feed connecting link
17	502258006	Connecting pin
18	000002507	Snap ring E-4
19	846304106	Upper feed lower shaft front arm
20	000111201	Hexagonal socket screw 4x4
21	502258109	Connecting pin
22	784071003	Looper shaft bushing
23	858624009	Upper feed lower shaft (unit)
24	858069000	Upper feed lower shaft
25	846306005	Upper feed lower shaft rear arm
26	000061102	Nut 4-1-7
27	820166001	Lower shaft ring
28	846303002	Upper feed lower shaft bushing
29	000038502	Washer $\varnothing 8 \times 0.5$
30	000002806	Snap ring E-6
31	822070003	Felt
32	846580016	Upper feed adjusting arm (unit)
33	846577009	Upper feed connecting link (unit)
34	846349000	Upper feed adjusting link
35	820144003	Pin
36	846350004	Upper feed adjusting arm (1)
37	000111304	Hexagonal socket screw 5x5
38	863111004	Upper feed upper shaft rear arm
39	846348009	Rear arm feed lifting roller
40	858644005	Upper feed adjusting arm 2 (unit)
41	858070004	Upper feed adjusting arm 2

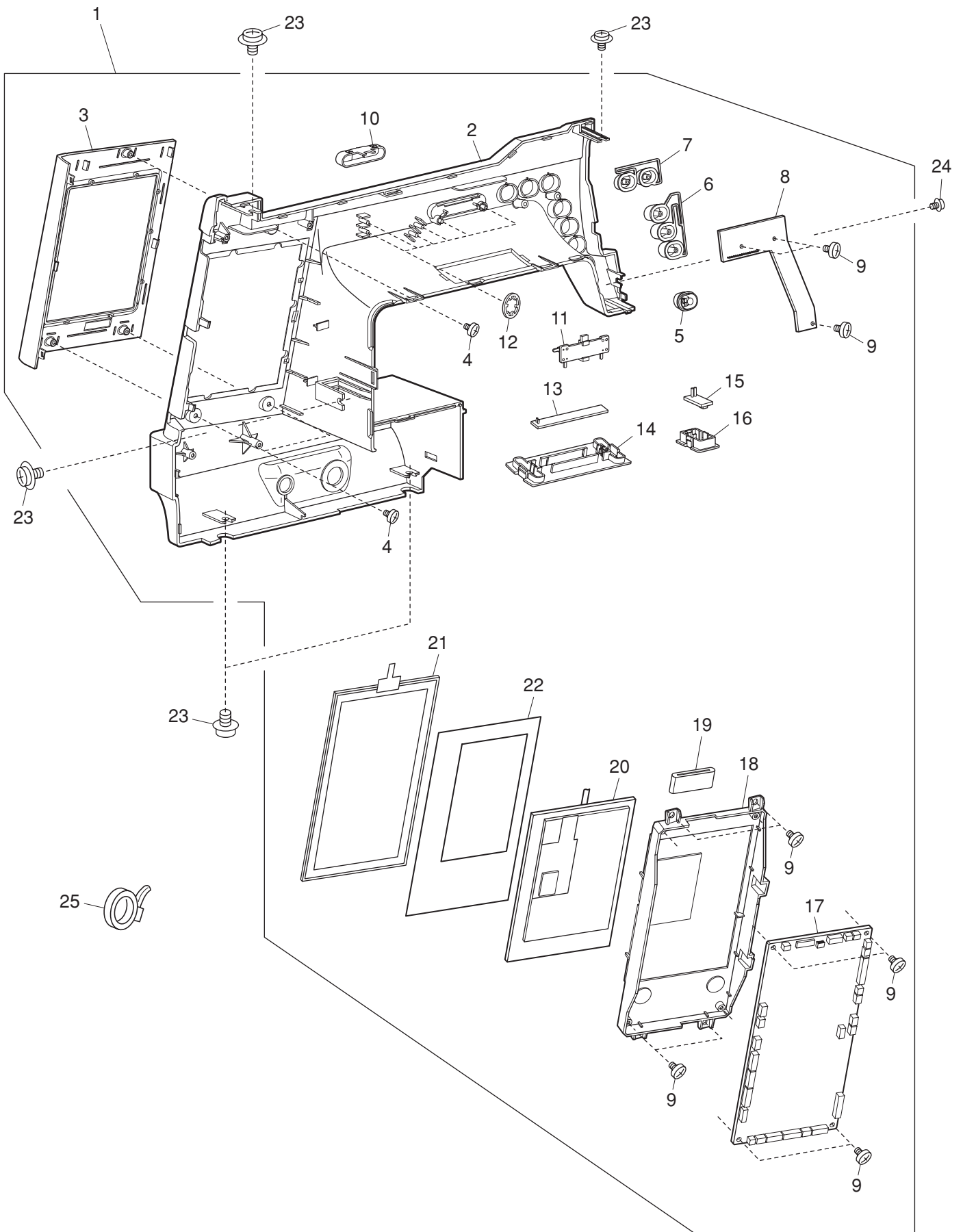
# PARTS LIST



## PARTS LIST

KEY NO.	PARTS NO.	DESCRIPTION
1	859637101	Feed rock shaft (whole unit)
2	858621006	Feed rock shaft (unit)
3	859638102	Hook race (unit)
4	859639000	Feed dog set base (unit)
5	859113003	Feed dog
6	000104005	Setscrew 3.5x8
7	825099007	Feed dog base shaft
8	000111407	Hexagonal socket screw 4x6
9	825103005	Feed base spring
10	858138001	Drop plate
11	000002105	Snap ring E-3
12	661018008	Spring
13	000081005	Setscrew 4x8
14	000070506	Washer 4
15	738055008	Straight pin
16	000111304	Hexagonal socket screw 5x5
17	846652102	Bobbin holder (unit)
18	102261103	Bobbin
19	858618000	Lower shaft (unit)
20	858056004	Lower shaft
21	650073007	Lower gear
22	000004200	Spring pin 3x18
23	822070003	Felt (1)
24	822112008	Felt holder (1)
25	858058006	Lower shaft supporter
26	000115700	Setscrew TP 4x10
27	846379009	Feed cam
28	000149600	Setscrew 3x14
29	850687109	Lower shaft gear (unit)
30	808137005	Lower shaft gear
31	820161006	Feed lifting pin
32	846103000	Feed lifting cam
33	825093001	Feed lifting cam spring
34	820672005	Lower shaft ring (unit)
35	820166001	Lower shaft ring
36	000111201	Hexagonal socket screw 4x4
37	000038502	Washer $\varnothing$ 8x0.5
38	735143005	Felt
39	858177002	Washer
40	000002806	Snap ring E-6
41	650079003	Lower shaft bushing (rear)
42	858060001	Lower shaft bushing (front)
43	858626001	Feed shaft (unit)
44	625508008	Feed regulator (unit)
45	820387000	Ring
46	625144002	Feed shaft bushing (front)
47	650092002	Feed shaft bushing (rear)
48	650175000	Cushion
49	823110009	Felt

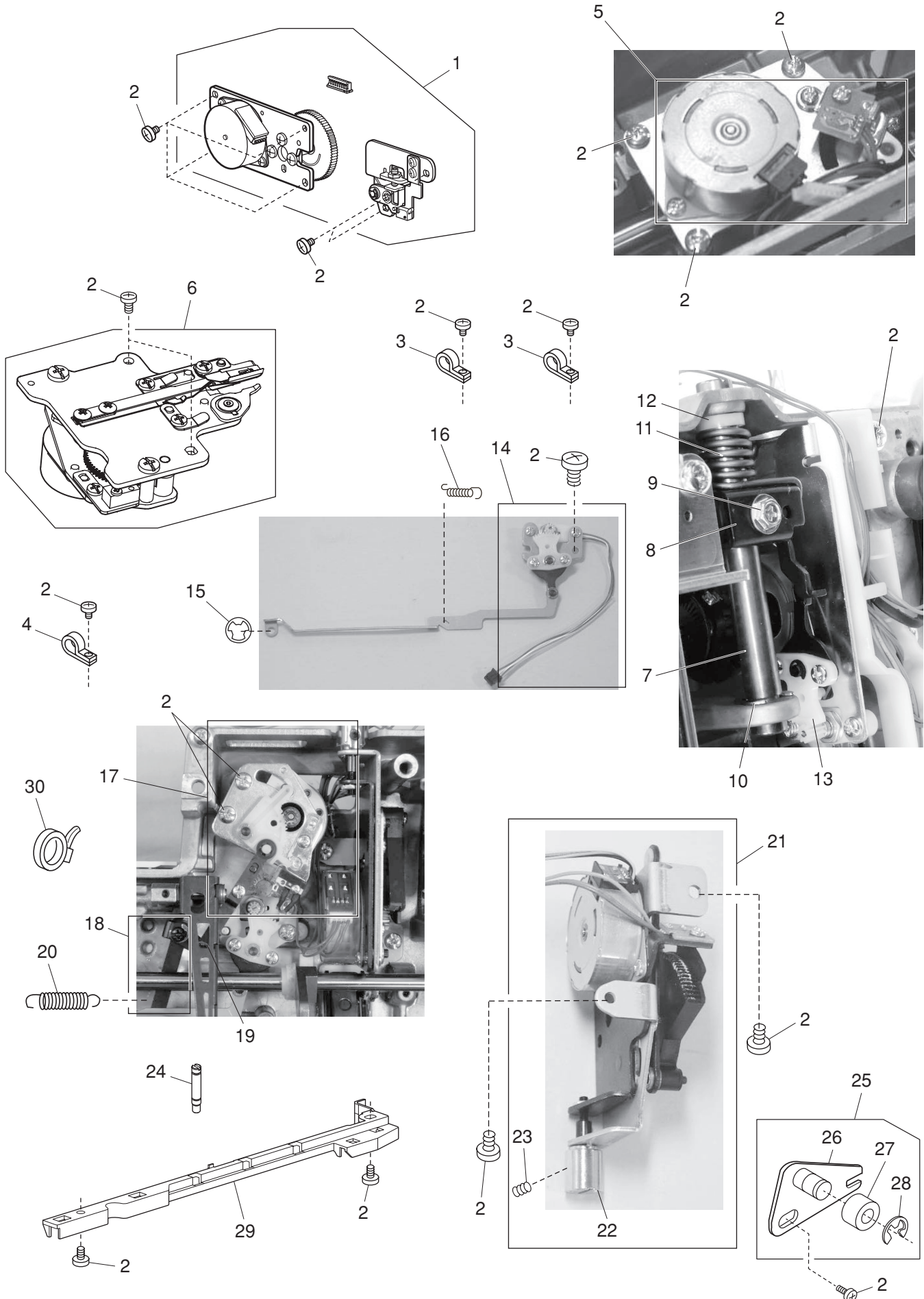
# PARTS LIST



## PARTS LIST

KEY NO.	PARTS NO.	DESCRIPTION
1	865610004	Front cover (unit)
2	865033A01	Front cover
3	865034A01	Touch panel frame
4	000160700	Setscrew 2.6x6 (B)
5	865035A01	Start/stop button
6	865036A01	Function button 1
7	865037A01	Function button 2
8	863510100	Printed circuit board F (unit)
9	000120203	Setscrew 3x8 (B)
10	767140506	Speed control slider
11	653507288	Slide volume (unit)
12	000014306	Snap ring CS-3
13	859506203	Printed circuit board L1 (unit)
14	858106000	LED cover 2
15	859525079	Printed circuit board L2 (unit)
16	860167006	Lamp cover 2
17	865502002	Printed circuit board A (unit)
18	865038002	Printed circuit board A case
19	861512003	Ferrite core
20	863512009	LCD (unit)
21	861505106	Touch panel (unit)
22	863126A01	Touch panel sheet
23	000115205	Setscrew TP 4x6
24	000114710	Setscrew TP 3x6
25	000053008	Cord binder

# PARTS LIST

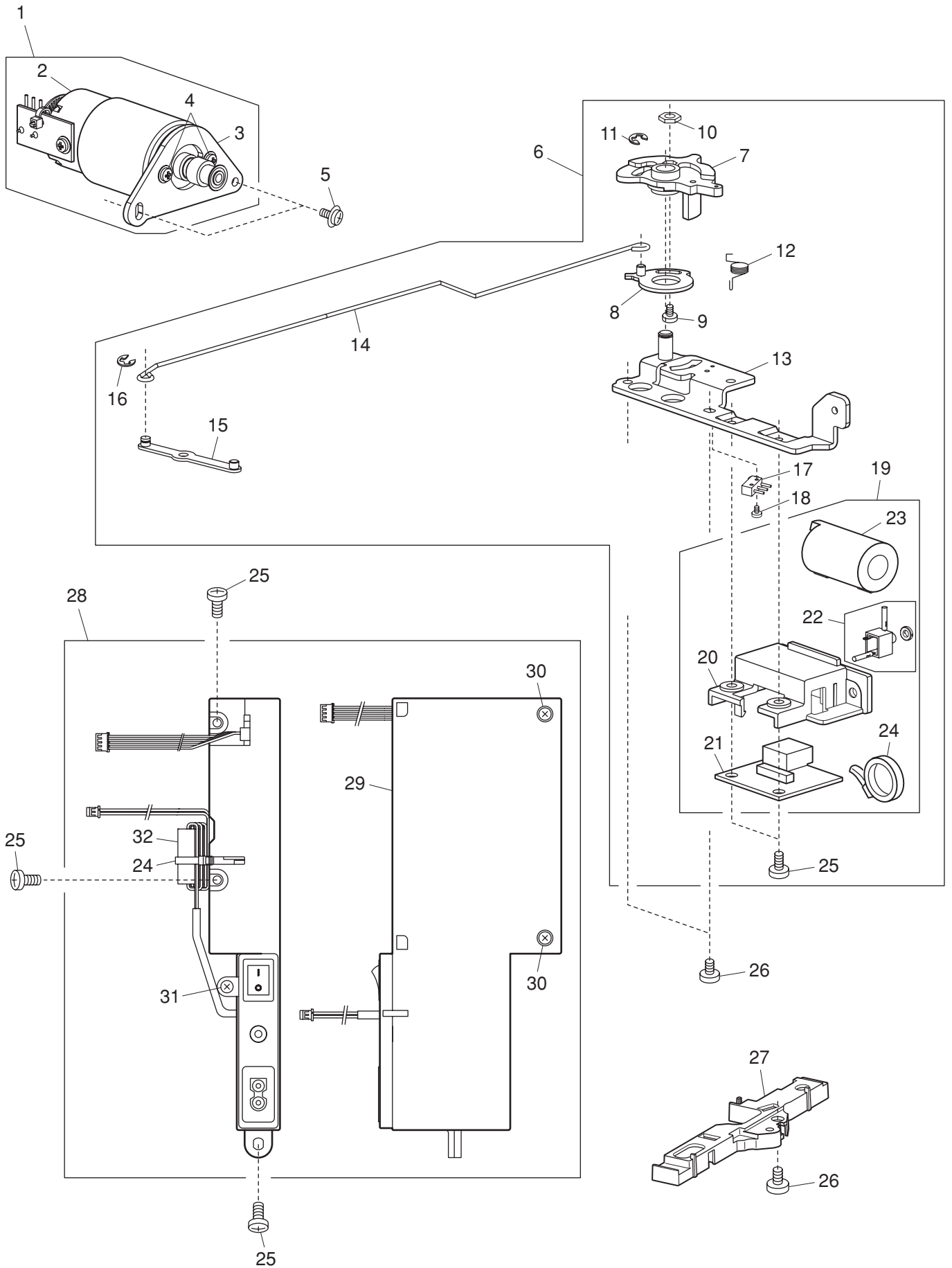




## PARTS LIST

KEY NO.	PARTS NO.	DESCRIPTION
1	865614008	Presser foot lifter motor (unit)
2	000081005	Setscrew 4x8
3	000188405	Nylon clip
4	000188014	Nylon clip
5	865616000	Zigzag width motor (unit)
6	863638002	Automatic thread cutter (unit)
7	858088108	Knee lifter shaft
8	859021014	Knee lifter stopper
9	000138503	Hexagonal socket bolt screw 5x12
10	000002208	Snap ring E-9
11	859022004	Knee lifter stopper spring
12	846297002	Stopper
13	859609104	Knee lifter sensor (unit)
14	859606204	Sensor set plate (unit)
15	000013707	Snap ring CS-2.4
16	859011000	Spring
17	865617001	Bobbin thread sensor motor (unit)
18	859605007	Arm (unit)
19	000002105	Snap ring E-3
20	865043000	Spring
21	865615009	Feed motor (unit)
22	859215006	Feed balancing dial
23	000110200	Hexagonal socket screw 4x4 (WP)
24	859260006	Pin
25	860608004	Idler (unit)
26	860021007	Idler base
27	625217100	Idler
28	000002806	Snap ring E-6
29	865041008	Cord guide (free arm cover)
30	000053008	Cord binder

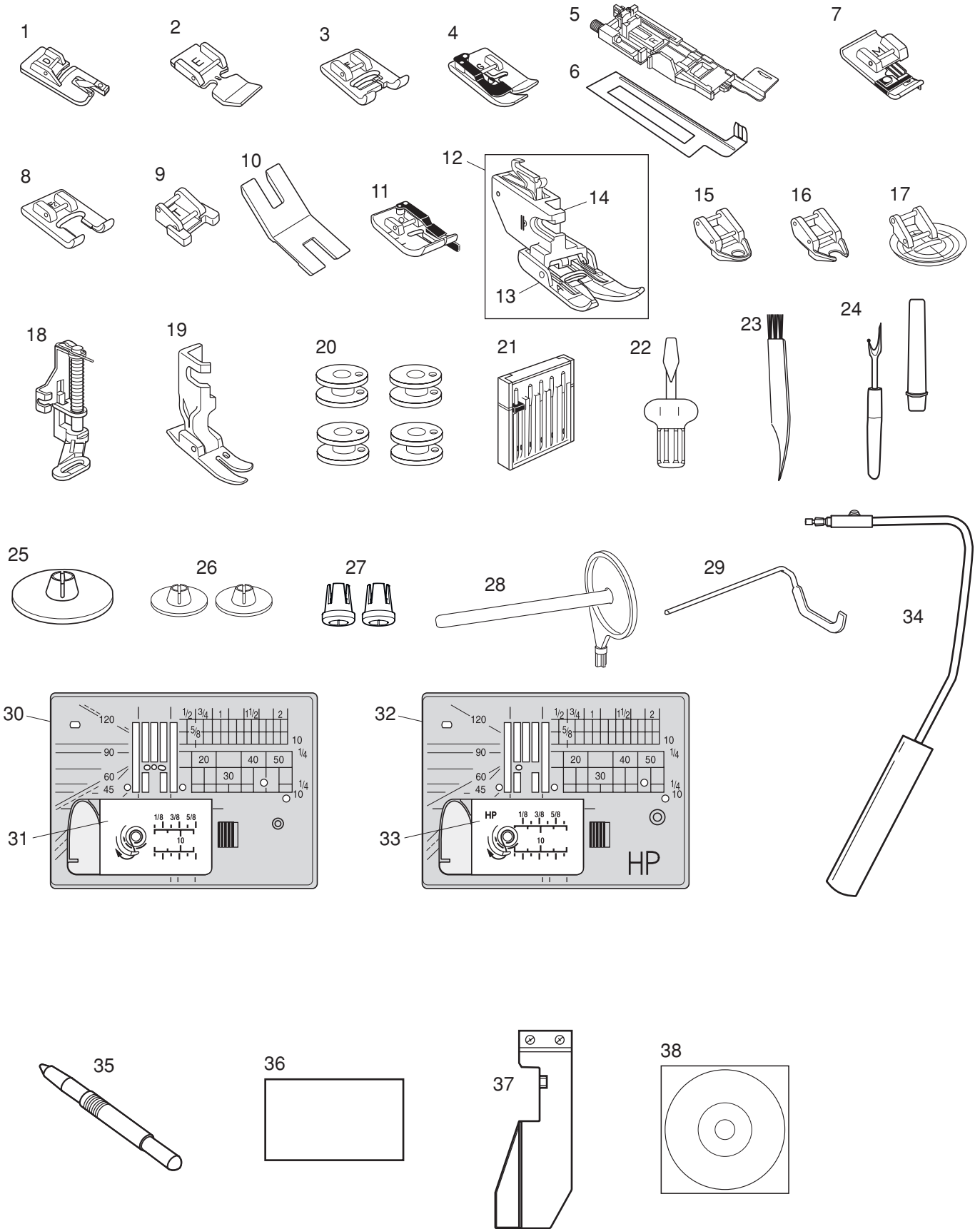
# PARTS LIST



# PARTS LIST

KEY NO.	PARTS NO.	DESCRIPTION
1	865613007	DC motor (unit)
2	865504004	DC motor (unit)
3	858117004	DC motor set plate
4	000115009	Setscrew TP 3x8
5	000115607	Setscrew TP 4x8
6	865612006	Feed dog drop lever (unit) (U.S.A.) (Canada)
	865612109	Feed dog drop lever (unit) (Australia) (UK) (Continental Europe)
7	858143009	Feed dog drop lever
8	858142008	Feed dog drop lever connecting plate
9	000066705	Setscrew 3x8
10	000061803	Nut 3-3-5.5
11	000002507	Snap ring E-4
12	823119008	Spring
13	865039003	Feed dog drop lever base
14	858279005	Rod
15	858139002	Drop connecting plate
16	000002105	Snap ring E-3
17	846513904	Micro switch (unit)
18	000102900	Setscrew 2x8
19	864638109	Printed circuit board B case (unit) (U.S.A.) (Canada)
	864638202	Printed circuit board B case (unit) (Australia) (UK) (Continental Europe)
20	861090000	Printed circuit board B case
21	861507108	Printed circuit board B (unit)
22	861509100	Jack cord (unit) (U.S.A.) (Canada)
	861509203	Jack cord (unit) (Australia) (UK) (Continental Europe)
23	863504008	Ferrite core (Australia) (UK) (Continental Europe)
24	000053101	Cord binder (Australia) (UK) (Continental Europe)
25	000103509	Setscrew 4x10
26	000081005	Setscrew 4x8
27	865040007	Cord guide 2
28	861640001	Switching power supply (unit) (U.S.A.) (Canada)
	861640104	Switching power supply (unit) (Australia) (UK) (Continental Europe)
29	858120000	Switching power supply plate
30	000119704	Setscrew 3x14 (B)
31	000161206	Setscrew 3x10 (B)
32	808108007	Ferrite core (Australia) (UK) (Continental Europe)

# PARTS LIST

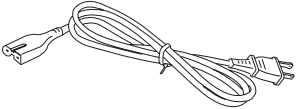


## PARTS LIST

KEY NO.	PARTS NO.	DESCRIPTION
1	859804008	Rolled hem foot D
2	859805009	Zipper foot E
3	859806011	Satin stitch foot F
4	859807001	Blind hemming foot G
5	862822013	Automatic buttonhole foot R
6	859832016	Stabilizer plate
7	859810007	Overedge foot M
8	859813000	Open toe satin stitch foot F2
9	859811008	Button sewing foot T
10	832820007	Button shank plate
11	859814001	1/4" seam foot O
12	859819017	Dual feed (twin) (unit)
13	859819109	Dual feed foot AD (twin)
14	859817015	Dual feed holder (twin)
15	859836009	Free motion quilting closed-toe foot QC
16	859837000	Free motion quilting open-toe foot QO
17	859812009	Free motion quilting zigzag foot QV
18	859839002	Darning foot PD-H
19	865803006	Professional grade foot HP
20	102261103	Bobbin
21	859856005	Needle case (unit)
22	820832005	Screwdriver
23	802424004	Lint brush
24	647808009	Seam ripper (buttonhole opener)
25	822020503	Spool holder (large)
26	822019509	Spool holder (small)
27	862408008	Spool holder (special)
28	809146000	Additional spool pin
29	755802001	Quilting guide bar
30	862817107	Straight stitch needle plate
31	809136100	Hook cover plate (for straight stitch needle plate)
32	865805008	Professional grade needle plate
33	809136A01	Hook cover plate (for professional grade needle plate)
34	846417011	Knee lifter
35	860194002	Touch panel stylus
36	858801002	Caution card
37	858401008	Cloth guide (unit)
38	863809006	Stitch composer CD-ROM

# PARTS LIST

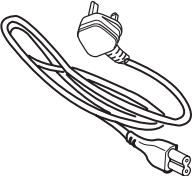
1 (U.S.A.) (Canada)



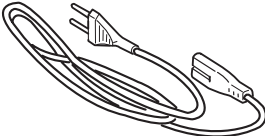
1 (Australia)



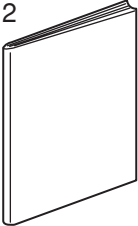
1 (UK)



1 (Continental Europe)



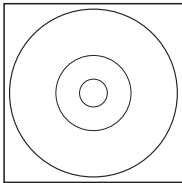
2



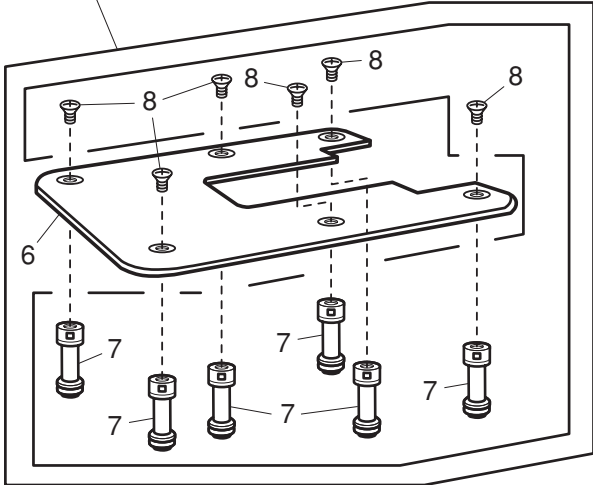
3



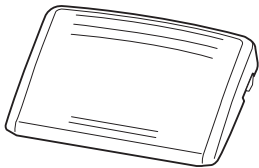
4



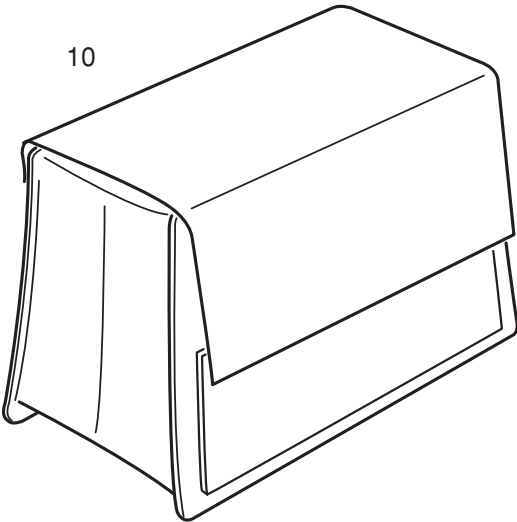
5



9



10



## PARTS LIST

KEY NO.	PARTS NO.	DESCRIPTION
1	856519004	Power cable (U.S.A.) (Canada)
	830314018	Power cable (Australia)
	830377008	Power cable (UK)
	830335004	Power cable (Continental Europe)
2	865800014	Instruction book (English)
	865800025	Instruction book (French)
	865800036	Instruction book (German)
	865800047	Instruction book (Dutch)
3	865810006	Thread cutter switch
4	865807000	Instructional DVD
5	865806009	Extra wide table (unit)
6	489011A01	Extra wide table
7	489603006	Extra wide table leg (unit)
8	000165509	Setscrew 5x18
9	043170108	Foot control (unit)
10	858802003	Semi-hard fabric cover
	865880007	Carton (UK)
	865889501	Styrofoam set (UK)